



Replacement Parts List No. 700052400
Revision G 05/2019

Daikin

**SmartSource[®] Compact Vertical
Water Source Heat Pump**

WGCV
048, 060, 070
Design 1

Contents

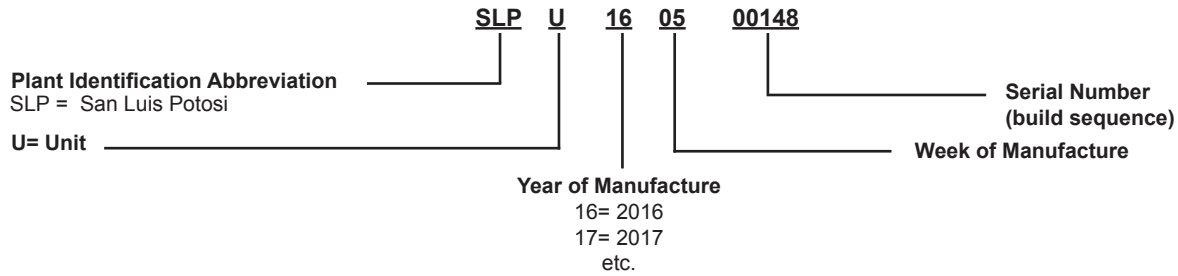
Parts List Revision History.....	3
Nomenclature	
Serial Number.....	4
Model Number.....	4
Electrical Legend.....	5
Blower Fan Assembly	
PSC Motor, Housing & Wheel.....	6
ECM Motor, Housing & Wheel.....	7
Refrigeration Circuit	
Diagrams.....	8
Components.....	9 - 10
Hot Gas Reheat (HGRH).....	10
Control Box	
Microtech III Controls	
Diagrams.....	11
Components.....	12
MTIII Control Board Label Location.....	13
Field Installed Accessories.....	14 - 18
Critical Parts List.....	CPL1

Parts List Revision History

Revision	Date	Description
NEW	06/16	New.
A	04/17	Page 6- Change capacitor (C01) p/n 668003118 to 910181947. Capacitor (C11) p/n 668003118 to 910120049. Page10- Add size 048, 060 HGRH Coil, 14 FPI, LH p/n 670209912. CPL1- Update revision.
B	07/17	Pages 6 - 7 Delete fasteners p/ns 04929302, 105915405, 802012067, and 06652401. Change Blower Wheel p/n 910168576 to 910168567. Change ECM Diagram for 060-070. Page 8- Change Compressor Mounting Detail drawing. Page 9- Add washer p/n 040500322. Add Compressor Blanket p/n 669280601. Page 11- Add drawing of "No PSC Used". Add C01 Bub# 72. Page 12- Chart redone without voltage columns. Page 14- Add Thermostats & Sensor p/ns 668375301, 668375401, 667720401, and 107096010. Page 15- Delete EWT sensor p/n 91012131 and add WSE Coil Assy p/ns 670213505 & 670213506. Add Hydronic Coil Assy size 048-060 p/n 670226305 and 070 p/ns 670226300 & 670226301. Page 16- Add "Auto Flow Supply and Return w/Ball Valves and Strainer" p/ns for 3 Ft hose kits. Move Electric Duct Heater Kits to this page and delete page. CPL1- Update revision.
C	12/17	Page 10- Add HGRH Diagram. Pages 14-17- Numerous changes to Field Installed Accessories Add sensor adapter plates, sensors, and touchscreen thermostats. Add Jumper Hose p/n 669483202. CPL1- Update revision.
D	01/18	Page 12- Change contactor p/n 910140340 to 910199932. CPL1- Update revision.
E	05/19	Page 4- Change Code 21 to Always 0. Page 7 Change Housing & Wheel Assy p/n 670227701 to 910159088. Pages 8-10 Change Rev Valve p/n 910125410 to 910198402 & Solenoid p/n 106694207 to 910198415. Add adapter p/n 910129165. Add differential switch p/n 910170469. Page 11- Add page for HGRH. Pages 15-19 Add page. Numerous format changes. Change Filters from Kit #s to individual p/ns. Delete Tstat p/ns 668375301 & 668375401. Change Jumper kit 669483202 to 669483301. CPL1- Update revision. Change Housing & Wheel Assy.
F	10/18	Page 13- Add footnote for disconnect switch and delete unit size. Change contactor p/n 910140343 to 910199935. Change unit size to 048 only for capacitor p/n 910120057 and 910120046. CPL1- Update revision.
G	05/19	Page 6- Change PSC motor dwg to include belly band. Change motor p/n 669484214 to 910234785; 669484215 to 910234783; 669484223 to 910234784; 669484217 to 910234787; 669484218 to 910234788 and 669484219 to 910234786. Delete blower wheel p/ns 910160766, 910183571, and 910168567. Page 7- Delete size 048 dwg and add new motor mount dwg. Delete blower wheel p/ns 910160766, 910183571, and 910168567. Delete ring p/n 060829001. Add size 060 blower housing & wheel p/n 910183589. Page 9- Change solenoid p/n 106694207 to 9101984015 & rev valve p/n 910125410 to 10198402. Page 10- Delete HGRH Coil p/n 670209900. Page 11- Page 16- Delete 265V Electric Heater p/ns 910128974 (5 Kw) & 910128978(10Kw). Add Compressor Blanket p/n 910221739. Page 12- Add footnote for disconnect switch and delete unit size. CPL1- Update revision and motor p/ns. Delete blower wheels.

Nomenclature

Serial Number



Model Number

	WGCV	048	E	1	RT	G	M	P	B	00	1	0	0	0	S	50	0	0	0
Code	01 - 03	04	05	06	07	08	09	10	11	12	13	14	15	16	17	18	19	20	21

Code 01: Unit Type

W= Water Source Heat Pump

Code 02: Model Type

GC= SmartSource, Compact Single Stage

Code 03: Configuration

V= Vertical

Code 04: Unit Size

048= 48000 BtuH Nominal Cooling
 060= 60000 BtuH Nominal Cooling
 070= 70000 BtuH Nominal Coolin

Code 05: Voltage

E= 208-230/60/1 K= 460/60/3
 F= 208-230/60/3 L= 575/60/3

Code 06: Design Series

1= Design Series 1

Code 07: Return/Discharge Air

LT= Left Hand Return/Top Discharge
 RT= Right Hand Return/Top Discharge

Code 08: Water Coil Type

C= Copper Inner Tube
 S= Cupro-Nickel Inner Tube
 G= Geothermal- Copper Inner Tube
 J= Geothermal- Cupro-Nickel Inner Tube

Code 09: Unit Control

M= Microtech III Base Controller
 L= Microtech III Base Controller with Lon
 B= Microtech III Base Controller with BACnet
 F= Microtech III Integrated System

Code 10: Fan Motor

P= PSC
 C= ECM Constant CFM
 T= ECM Constant Torque

Code 11: Insulation (Compressor Side / Airside)

B= Basic Standard- Fiberglass/Fiberglass
 I= IAQ- Closed Cell Foam/Closed Cell Foam
 D= Sound Package- Dual Layer Fiberglass/Dual Layer Fiberglass
 F= Sound Blanket- Basic Standard- Fiberglass/Fiberglass
 G= Sound Blanket- IAQ- Closed Cell Foam/Closed Cell Foam
 H= Sound Blanket- Fiberglass/Dual Layer Fiberglass

Code 12: Options

WE= Waterside Economizer
 HG= HGRH
 HH= Hydronic Heat
 00= None

Code 13: Filters & Racks

1= Standard 1" Rail 1" Filter, Throwaway
 2= 2" Rack- 2" Filter, MERV 8
 3= 2" Rack- 2" Filter, Throwaway
 4= 4" Rack- 4" Filter, MERV 13
 5= 4" Rack- 2" Filter, Throwaway

Code 14: Piping Package

0= None

Code 15: Electric Heat Size

0= None
 P= 24V Single Stage Control

Code 16: Freeze Fault Protection

0= None
 F= Freeze Fault Protection

Code 17: Standard or Special

S= Standard
 X= Special

Code 18: Transformer

50= 50 VA Transformer
 75= 75 VA Transformer

Code 19: Corrosion Protection

0= None
 C= Corrosion Protection

Code 20: Disconnect Switch

0= None
 D= Disconnect Switch

Code 21: Condensate Alternate Drain Location

0= None

Code 22: Extended Warranty

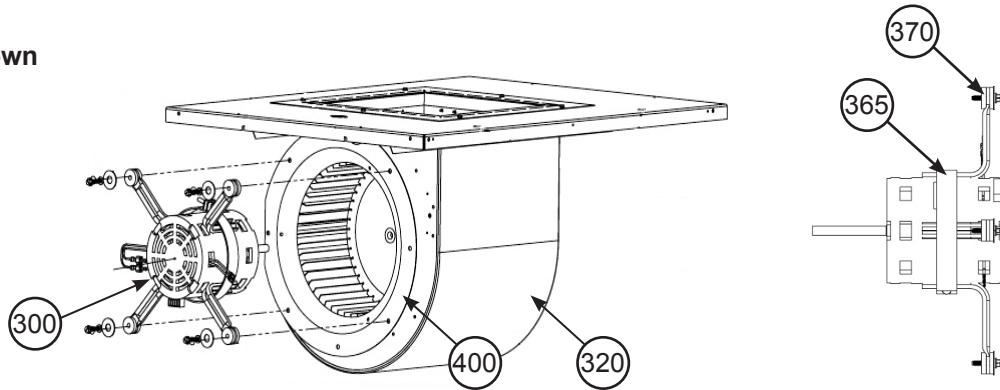
Electrical Legend

AN1, AN2	LED Annunciator
CO1	Fan Motor Capacitor 1
C11	Compressor Capacitor 1
CP1	Compressor 1
COE	Condensate Overflow Protection Sensor - WSE
COS	Condensate Overflow Protection Sensor
DAT	Discharge Air Temperature Sensor
DCS	Disconnect Switch
EB1	Expansion Control Board 1
EB2	Expansion Control Board 2- Fan Speed Control
EWT	Entering Water Temperature Sensor
FM1	Fan Motor 1
GND	Ground
HG1	Hot Gas Reheat Valve Actuator
HP1	High Pressure Switch
HYH	Hot Water Heat Valve Actuator
LAT	Leaving Air Temperature Sensor
LP1	Low Pressure Switch
LT1	Compressor Suction Line Temperature Sensor
LWT	Leaving Water Temperature Sensor
M01	Fan Motor Contactor
M11	Compressor 1 Contactor
MCB	Main Control Board
NCB	Network Control Board
OLP	Overload Protector - Compressor Motor
RAT	Return Air Temperature Sensor
RV1	Reversing Valve
TR1	Transformer - Control
TR2	Transformer - Fan Motor
WSE	Waterside Economizer Actuator

Blower Fan Assembly

PSC Motor, Housing & Wheel

PSC Motor
Size 070 shown

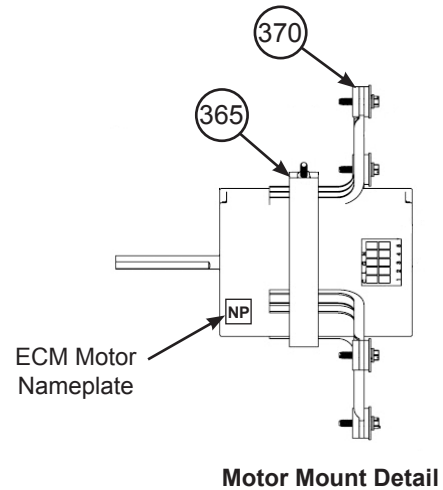
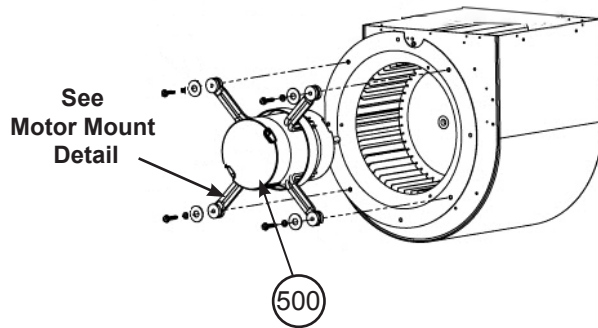


Ref. No.	Part Description	Part Number	Unit Size															
			048				060				070							
			208-230/60/1	208-230/60/3	460/60/3	575/60/3	208-230/60/1	208-230/60/3	460/60/3	575/60/3	208-230/60/1	208-230/60/3	460/60/3	575/60/3				
300	Motor, 1/2 HP	until 4/19	669484214	1	1													
	Motor, 1/2 HP ¹	4/19 & later	910234785	1	1													
	Motor, 1/2 HP	until 4/19	669484215			1												
	Motor, 1/2 HP ¹	4/19 & later	910234783			1												
	Motor, 1/2 HP	until 4/19	669484223				1											
	Motor, 1/2 HP ¹	4/19 & later	910234784				1											
	Motor, 3/4 HP	until 4/19	669484217					1	1			1	1					
	Motor, 3/4 HP ¹	4/19 & later	910234787					1	1			1	1					
	Motor, 3/4 HP	until 4/19	669484218							1						1		
	Motor, 3/4 HP ¹	4/19 & later	910234788							1						1		
	Motor, 3/4 HP	until 4/19	669484219								1						1	
Motor, 3/4 HP ¹	4/19 & later	910234786								1						1		
320	Blower Housing & Wheel Assy		910159088	1	1	1	1											
	Blower Housing & Wheel Assy, LH		910183589					1	1	1	1							
	Blower Housing & Wheel Assy, RH		668151101					1	1	1	1	1	1	1	1	1	1	
365	Band, Motor Mount	4/19 & later	910121966	1	1	1	1	1	1	1	1	1	1	1	1	1	1	
370	Arm, Motor Mount	4/19 & later	910121965	4	4	4	4	4	4	4	4	4	4	4	4	4	4	
400	Inlet Ring		060829001	1	1	1	1											

¹ This motor uses a band & arm motor mount.

Blower Fan Assembly

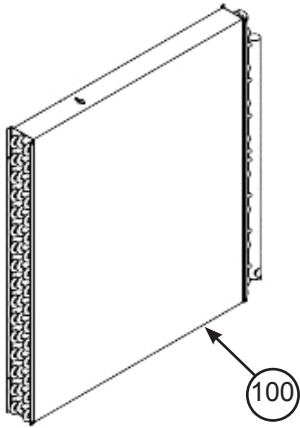
ECM Motor, Housing & Wheel



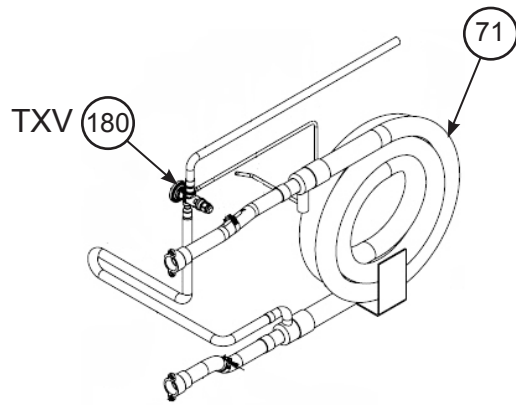
Ref. No.	Part Description	Part Number	Unit Size		
			048	060	070
365	Band- Motor Mount	910121966	1	1	1
370	Arm- Motor Mount	910121965	4	4	4
500	ECM & Program	¹	See ECM motor nameplate.		

¹ The PN for the ECM motor is found on the label (see illustration above).
 You may also contact Daikin with the Unit Model & Serial Number to get the ECM Motor part number.

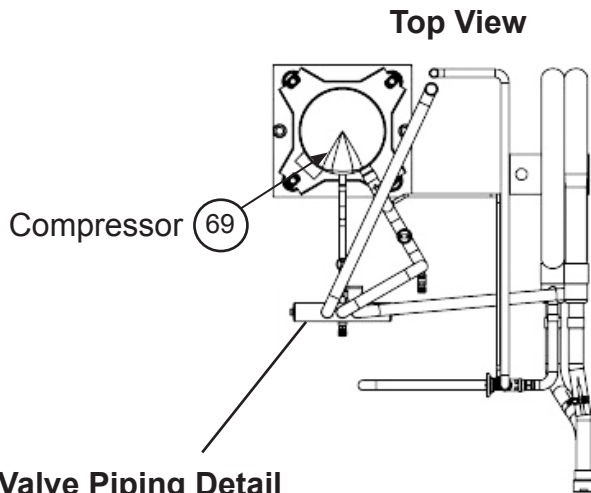
Refrigeration Circuit Diagrams



Evaporator Detail

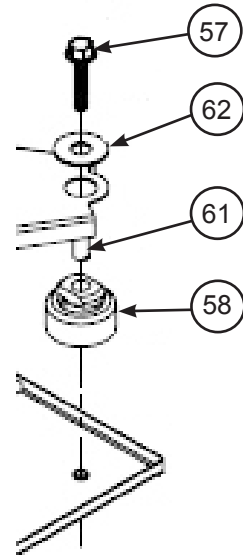


HEAT EXCHANGER Detail



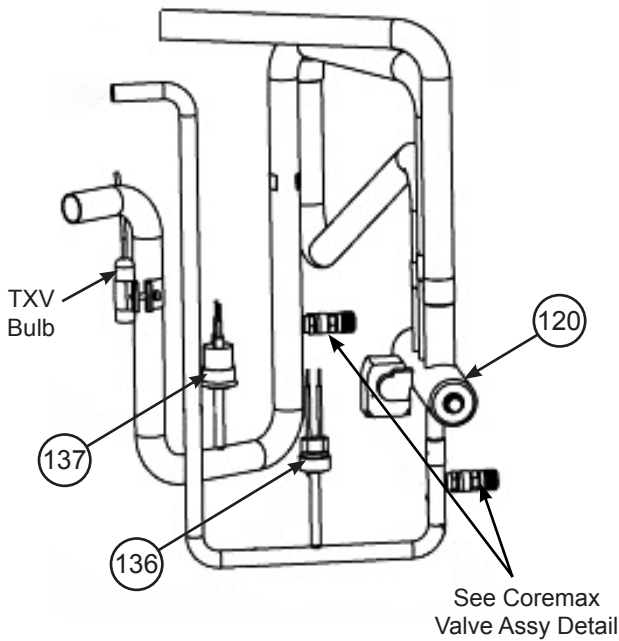
Top View

Compressor (69)

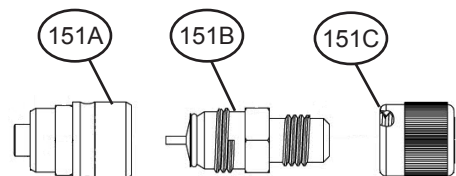


Compressor Mounting Detail

Reversing Valve Piping Detail



See Coremax Valve Assy Detail



Coremax Valve Assy Detail

Refrigeration Circuit Components

Ref. No.	Part Description	Part Number	048				060				070			
			208-230/60/1	208-230/60/3	460/60/3	575/60/3	208-230/60/1	208-230/60/3	460/60/3	575/60/3	208-230/60/1	208-230/60/3	460/60/3	575/60/3
57	Screw, Compressor Mount	910155795	4	4	4	4	4	4	4	4	4	4	4	4
58	Grommet, Compressor Mount	4RHZ9154	4	4	4	4	4	4	4	4	4	4	4	4
61	Sleeve, Compressor Mount until 7/16	060623401	4	4	4	4	4	4	4	4	4	4	4	4
	Sleeve, Compressor Mount 7/16 & later	WB1044	4	4	4	4	4	4	4	4	4	4	4	4
62	Washer, Compressor Mount	040500322	4	4	4	4	4	4	4	4	4	4	4	4
69	Compressor	668408001	1											
	Compressor	668408002		1										
	Compressor	668408003			1									
	Compressor	668408004				1								
	Compressor	668407601					1							
	Compressor	668407602						1						
	Compressor	668407604							1					
	Compressor	668407605								1				
	Compressor	669816418									1			
	Compressor	669816420										1		
	Compressor	669816419											1	
	Compressor	910168362												1
N/S	Compressor Blanket	669280601	1	1	1	1	1	1	1	1	1	1	1	1
71	CO-AX Heat Exchanger, Copper Inner Tube	669814141	1	1	1	1								
		669814143					1	1	1	1	1	1	1	1
	CO-AX Heat Exchanger, Cupro Inner Tube	910171099	1	1	1	1								
		910170640					1	1	1	1	1	1	1	1
100	Evaporator Coil Assy, LH ¹	670211309	1	1	1	1	1	1	1	1				
		670211307									1	1	1	1
	Evaporator Coil Assy, RH ¹	670211313	1	1	1	1	1	1	1	1				
		670211304									1	1	1	1
120	Reversing Valve until 11/17	910125410	1	1	1	1	1	1	1	1	1	1	1	1
	Reversing Valve 11/17 & later	910198402	1	1	1	1	1	1	1	1	1	1	1	1
125	Solenoid- RV until 11/17	106694207	1	1	1	1	1	1	1	1	1	1	1	1
	Solenoid- RV 11/17 & later	910198415	1	1	1	1	1	1	1	1	1	1	1	1
136	High Pressure Switch	910171269	1	1	1	1	1	1	1	1	1	1	1	1
137	Low Pressure Switch	910171267	1	1	1	1	1	1	1	1	1	1	1	1
151A	Seat, Fitting	910158114	2	2	2	2	2	2	2	2	2	2	2	2
151B	Core, Valve	668188701	2	2	2	2	2	2	2	2	2	2	2	2
151C	Cap, Valve	668189501	2	2	2	2	2	2	2	2	2	2	2	2

N/S= Not shown.

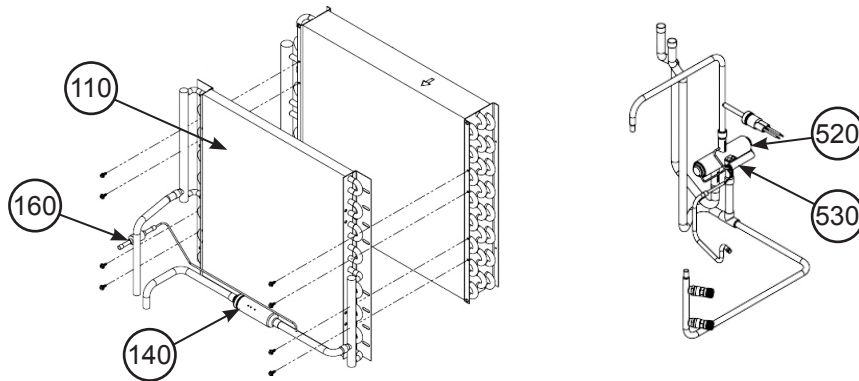
¹ Please contact Daikin for E-Coat on evaporator coil assy.

Refrigeration Circuit Continued

Ref. No.	Part Description	Part Number	048				060			070				
			208-230/60/1	208-230/60/3	460/60/3	575/60/3	208-230/60/1	208-230/60/3	460/60/3	575/60/3	208-230/60/1	208-230/60/3	460/60/3	575/60/3
180	Expansion Valve	910157601	1	1	1	1								
		910157630					1	1	1	1	1	1	1	1
N/S	Gasket, Vinyl Edging, 10.69"	910155307	1	1	1	1	1	1	1	1	1	1	1	
N/S	Drain Pan Assy, LH	670212808	1	1	1	1	1	1	1	1				
		670212806									1	1	1	1
	Drain Pan Assy, RH	670212800	1	1	1	1	1	1	1	1				
		670212803									1	1	1	1
N/S	Terminal Ring- Condensate Overflow Wire	802007936	1	1	1	1	1	1	1	1	1	1	1	
N/S	Gasket, Vinyl Edging, 10.69"	910155307	1	1	1	1	1	1	1	1	1	1	1	

N/S= Not shown.

Hot Gas Reheat (HGRH)



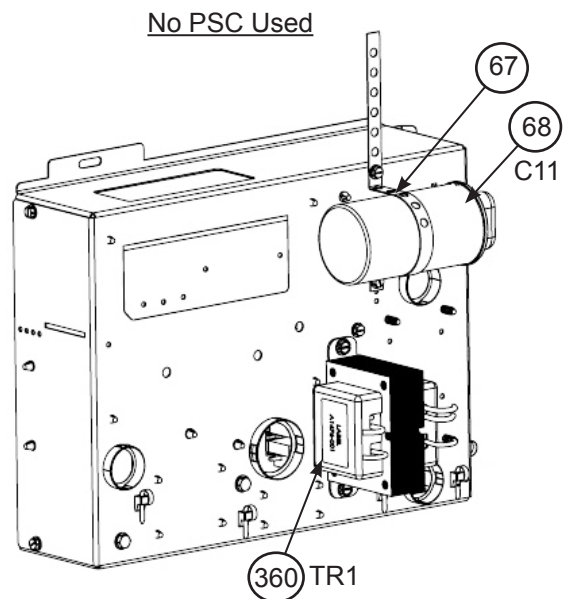
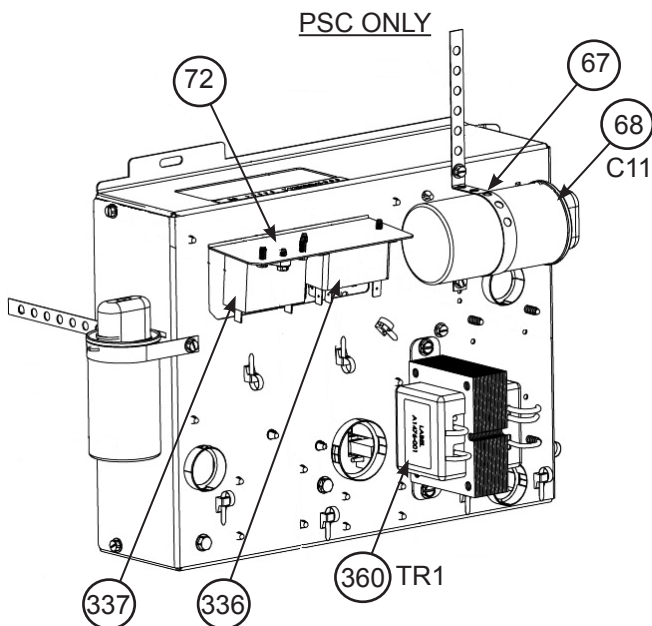
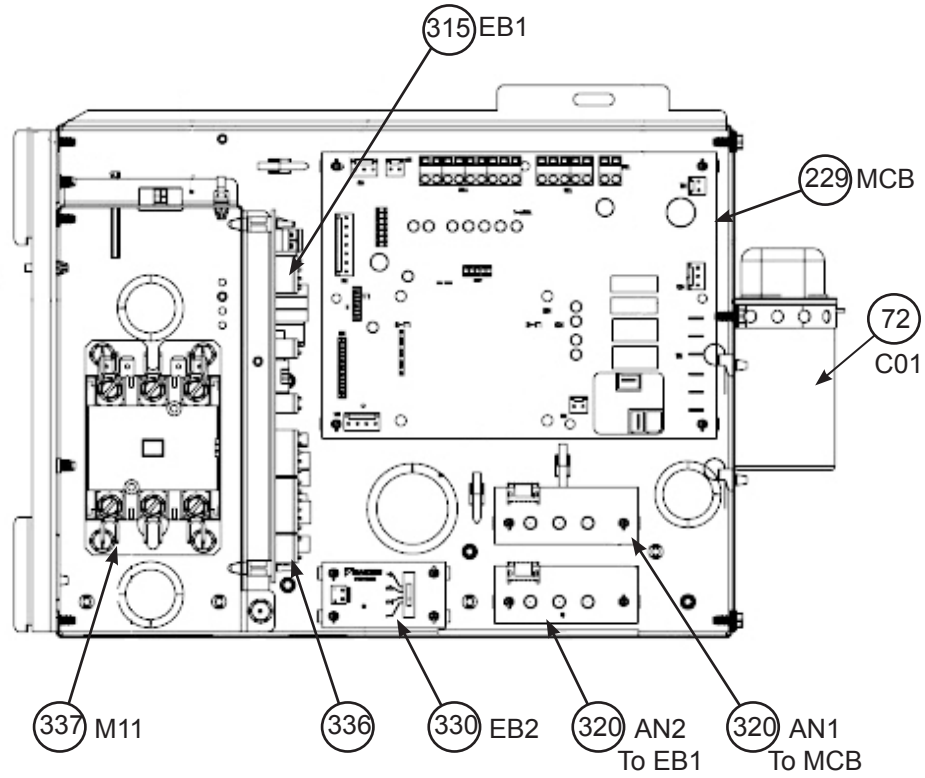
Ref. No.	Part Description	Part Number	Unit Sizes		
			048	060	070
110	Hot Gas Coil Assy, LH ¹	670209912	1		
		670209914		1	
		670209913			1
	Hot Gas Coil Assy, RH ¹	670209905	1		
		670209903		1	
	670209907			1	
140	Check Valve	910115254	1	1	1
160	Check Valve, Equalizer	910171818	1	1	1
520	Re-Heat Valve, 4 Ton	910163981	1	1	1
530	Solenoid, HGRH Valve	910110439	1	1	1

¹ Please contact Daikin for E-Coat on HGRH coil assy.

Control Box

MicroTech III Controls

Diagrams



Control Box

MicroTech III Controls

Components

Ref. No.	Part Description	Part Number	Unit Size			
			048	060	070	
67	Bracket, Capacitor	850010570	2	2	2	
N/S	Boot, Capacitor Terminal Cover	910127697	2	2	2	
68	Capacitor, Compressor, 70MFD 440VAC	910120057	1			
	Capacitor, Compressor, 80MFD 440VAC	910120058		1	1	
72	Capacitor, Blower Motor, 15MFD, 440V	910120046	1	1	1	
229	Control Board, MicroTech III, MCB	668105601*	1	1	1	
315	I/O Expansion Board, EB1	668105702*	1	1	1	
320	LED Annunciator, AN1 to MCB	668395201	1	1	1	
	LED Annunciator, AN2 to EB1	668395201	1	1	1	
330	Fan Speed Selection Board	910143618	1	1	1	
335	Stand Off, PC Board	802028115	6	6	6	
336	Relay, 24V	106500102	1	1	1	
337	Contactor, 3P	until 12/17	910140340	1	1	1
	Contactor, 3P	12/17 & later	910199932	1	1	1
N/S	Disconnect Switch, 10A	910150557	See footnote 1.			
	Disconnect Switch, 16A	910150558				
	Disconnect Switch, 20A	910150559				
	Disconnect Switch, 25A	910150560				
	Disconnect Switch, 45A	910118577				
	Disconnect Switch, 63A	910123457				
360	Transformer- 50V, 208-230V	910116202	1	1	1	
	Transformer- 50V, 460V	910116205	1	1	1	
	Transformer- 50V, 575V	910164276	1	1	1	
	Transformer- 75V, 208-230V	910116213	1	1	1	
	Transformer- 75V, 460V	910116209	1	1	1	
	Transformer- 75V, 575V	910164277	1	1	1	
N/S	Suction Line Temp Sensor (LT)	910121231	1	1	1	
N/S	Air Temp Sensor (DAT, RAT)	910106325	2	2	2	
N/S	Water Temp Sensor (EWT, LWT)	107201601	2	2	2	

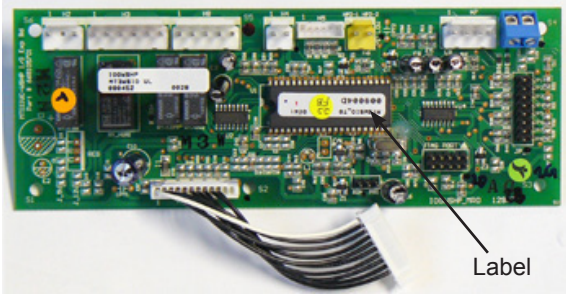



N/S= Not shown.

¹ The disconnect switch depends on the unit features. Use the As-Built BOM on Parts E-Commerce, or get the specs from the installed disconnect, or contact Daikin Applied Parts Identification.

* When ordering this board, please provide the software part number printed on the board's label. See control board photo on next page for label location.

Control Box

MicroTech III Controls

MTIII Control Board Label Locations	
 <p style="text-align: right; margin-right: 50px;">Label</p>	 <p style="text-align: right; margin-right: 50px;">Label</p>
668105702	668105901
 <p style="text-align: right; margin-right: 50px;">Label</p>	 <p style="text-align: right; margin-right: 50px;">Label</p>
668105601	668105801

NOTE: When ordering the control board, please provide the software part number printed on the board's label.
See above for label locations.

Field Installed Accessories

Filter & Filter Racks

Description	Qty	048, 060	070
1" Throwaway Filter	12 Pack	910160849	669343201
2" MERV 8 Filter	12 Pack	669814409	669814411
4" MERV 13 Filter	6 Pack	669814411	669814412
2" Filter Rack	1 Kit	910174053	910174054
4" Filter Rack	1 Kit	910174060	910174061

MTIII Communication Module Kits

Description	Part Number
LonWorks Comm Module *	910128888
BacNet Comm Module *	910128889

* Kit includes comm module card, sensors, mounting tabs, and IM.

Motorized Valve Wire Harness

Description	Part Number
MTIII, H-8 Wire Harness Assy, ISO Control Kit	910255908
MTIII, H-8 Wire Harness Assy, ISO Control Kit, 10 Pack	910145646

Manual Valves

Description	Size	Box of 2	Box of 10
Combination Shutoff/Balancing Valve with Memory Stop, Ball Valve	1" FPT	106065302	106065310

Motorized Valves

Description	Kit *	Actuator	Body
2-Way Valve Kit, Motorized, Normally Closed (NC), 1" NPT	910131355	910129596	910129298
2-Way Valve Kit, Motorized, Normally Closed (NC), 1" Sweat	910131361	910129596	910129295
2-Way Valve Kit, Motorized, Normally Open (NO), 1" NPT	910128988	910129299	910129298
2-Way Valve Kit, Motorized, Normally Open (NO), 1" Sweat	910131358	910129299	910129295

* Refer to IM 1151 for installing a motorized valve kit on MicroTech III units.

Field Installed Accessories Continued

Thermostats & Sensors

Description	Part Number
3.75" x 5.5" Adaptor Plate *	910201987
5.25" x 7" Adaptor Plater *	910193064
5.3" x 5.3" Adaptor Plate *	910201988
RCN Kit for use with wireless Tstat	910107248
Programmable/ Non- Programmable, 2H/2C, AC, Touchscreen	910193126
Programmable/ Non- Programmable, 2H/2C, AC, Touchscreen, WIFI	910193131
Wall Stat: Non- Programmable, 2 Heat/2 Cool, ACO, Hardwired	910121746
Wall Stat: 7-day Programmable, 2 Heat/2 Cool, ACO, Hardwired	910121748
Wall Stat: Auto, Programmable Touch-Screen, 3 Heat/2 Cool, Humidity Detection	910121750
Wall Stat: Programmable & Remote Sensor	910116773
Wall Stat: AC/DC, ACO, 7-day Programmable, 2 Heat/2 Cool with Wall Plate	668375301
Wall Stat: AC/DC, ACO, Non- Programmable, 2 Heat/2 Cool, NSB & OR with Wall Plate	668375401
Trim Ring *	910193063
Insulated Wall Plate	910116770
Basic Room Sensor with NSB, Override and Status LED	910152149
Digital Adj. 4-Button Room Sensor with Override, Occupancy Switch and Temp. Display	910152147
Sensor with Cool/Warm Temp Adj. and Occupaancy Override	910171464
Remote Sensor, Outdoor Temp for Touch Screen Thermostat **	910129096
Remote Sensor, Indoor Temp for Touch Screen Thermostat **	910129095
Wall Temp Sensor for 668375301 & 668375401	107096010
Wall Sensor, Adj. Cool/Warm, Occupancy Switch	910121753
Room Sensor, Digitally Adj., Temp & Humidity Display	910121754
Wall Temp Sensor, Daikin Branded ***	667720401

* For sensors p/ns 910121754, 910152147, 910152149 or 910171464.

** For use with thermostats # 910121750.

*** For use with thermostats # 910121746 & # 910121748.

TStat Guards

Description	Part Number
TStat Guard	105571101
TStat Guard (10 Pack)	105571110

Field Installed Accessories Continued

Waterside Economizer

Description	Unit Sizes	Part Number
3-Way Valve Body, 1" Sweat	048 - 070	910161084
WSE Coil Assy	048 - 060	670213505
WSE Coil Assy	070	670213506
Actuator, 24V	048 - 070	107179809

Hydronic Heat

Description	Unit Sizes	Part Number
Hydronic Coil Assy	048, 060	670226305
Hydronic Coil Assy, LH	070	670226300
Hydronic Coil Assy, RH	070	670226301
Actuator, 24V	048 - 070	107179801

Electric Duct Heater Kit

Description	5 KW	10KW	15KW	20KW
208/230/60/1V	910128971	910128976	910128980	910128983
208/230/60/3V	910128973	910128977	910128981	910128984
460/60/3V	910128975	910128979	910128982	910128985

Compressor Blanket

Description	Part Number
Compressor Blanket Kit	910221739

Field Installed Accessories

Continued

Hoses

Description	Specification	2 Ft.	3 Ft.
Hose Assy, Fire Rated Condensate	3/4"	106063801	106063901
Hose Assy, Plastic Condensate	3/4"	106063701	106665101
Hose Assy, Fire Rated Supply/Return (2 Pack)	1"	106063401	106063501
Auto Flow Supply and Return w/Ball Valves Flow Control Hose Kit, Fire Rated Supply/Return- 1" X 2 Ft. Includes: Supply Line: Ball valve with one port and a 24" stainless steel hose with swivel. Return Line: Combination flow controller & ball valve with two ports and a 24" stainless steel hose with swivel.	8.0 GPM	669482501	N/A
	9.0 GPM	669482502	N/A
	10.0 GPM	669482503	N/A
	11.0 GPM	669482504	N/A
	12.0 GPM	669482505	N/A
	13.0 GPM	669482506	N/A
	15.0 GPM	669482507	N/A
	18.0 GPM	669482508	N/A
Auto Flow Supply and Return w/Ball Valves and Strainer Flow Control Hose Kit, Fire Rated Supply/Return- 1" X 2 Ft. or 3 Ft. Includes: Supply Line: Combination ball valve & y-strainer, blow down valve, with one port and a 24" stainless steel hose with swivel. Return Line: Combination flow controller & ball valve with two ports and a 24" stainless steel hose with swivel.	8.0 GPM	106582932	910186331
	9.0 GPM	106582933	910157024
	10.0 GPM	106582934	910182846
	11.0 GPM	106582935	910186332
	12.0 GPM	106582936	910182847
	13.0 GPM	106582937	910186333
	15.0 GPM	106582939	910186440
	18.0 GPM	106582942	910186334
Hose Kits Supply and Return w/Ball Valves	1"	669481501	669481502
Hose Kits Supply and Return w/Ball Valves and Strainer	1"	669482001	669482002
Hose Kits Jumper Jumper Hose Kit w/90° Adapter	1" x 7 Ft.	669483301	

N/A = Not Applicable.

Note: Refer to IM 1226 for Daikin Fire Rated Hoses & Hose Kits and for installation instructions.

Field Installed Accessories Continued

MicroTech III Temperature Sensors

Part Number	Kit	Tenant Override	Set Point Adjustment	Status LED	Fan & Mode Switches
669088101	669529001	Yes	No	No	No
668900801	669529101	Yes	55° to 95° F (12° to 35° C)	Yes	Yes
669088201	669529201	Yes	-3° to +3° F (-1.5° to 1.5° C)	No	Yes

Note: Can only be used in conjunction with a communication (Comm.) card. See OM 931 for required jumper settings.

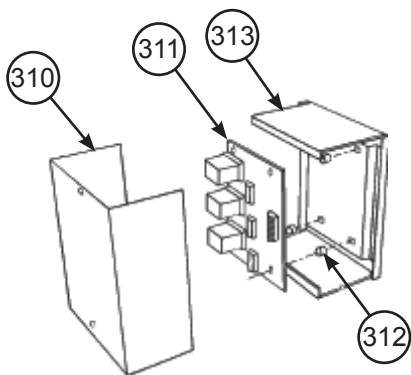
Microtech III Unit Control Accessories

Description	Part Number
** Multiple Unit Control Panel: Allows a master unit controlled by a single thermostat, to operate up to 3 secondary units. Not Recommended for use with a Boilerless System Kit.	056794201
Boilerless System Kit with I/O Expansion Board *	910110355
Boilerless System Kit without I/O Expansion Board	910110353

* IM 1084-2 is included in Kit.

** Kit components listed below.

Multiple Unit Control Panel Kit



Ref. No.	Description	Part No.	Qty.
310	Cover, Control Box	106436101	1
311	MUCP Circuit Board	056794001	1
312	Stand Off, Circuit Board	802028090	6
313	Box	850007827	1

Critical Daikin Applied OEM Parts Are What Your HVAC Unit Needs!

Daikin SmartSource® Compact Vertical WSHP

WGCV

048, 060, 070 Design 1

Critical Components	Unit Sizes	Voltage	Part Number
Control			
Control Board, MicroTech III	ALL	ALL	668105601
Compressor			
Compressor	048	208-230/60/1	668408001
Compressor	048	208-230/60/3	668408002
Compressor	048	460/60/3	668408003
Compressor	048	575/60/3	668408004
Compressor	060	208-230/60/1	668407601
Compressor	060	208-230/60/3	668407602
Compressor	060	460/60/3	668407604
Compressor	060	575/60/3	668407605
Compressor	070	208-230/60/1	669816418
Compressor	070	208-230/60/3	669816420
Compressor	070	460/60/3	669816419
Compressor	070	575/60/3	910168362
Blower Fan Motor			
Motor, 1/2 HP	048	208-230/60/1/3	910234785
Motor, 1/2 HP	048	460/60/3	910234783
Motor, 1/2 HP	048	575/60/3	910234784
Motor, 3/4 HP	060, 070	208-230/60/1/3	910234787
Motor, 3/4 HP	060, 070	460/60/3	910234788
Motor, 3/4 HP	060, 070	575/60/3	910234786
ECM & Program	ALL	ALL	See motor nameplate
Blower Fan Assembly			
Blower Housing & Wheel Assy	048	N/A	910159088
Blower Housing & Wheel Assy, LH	060	N/A	910183589
Blower Housing & Wheel Assy, RH	060, 070	N/A	668151101
Sensor			
Suction Line Temp Sensor (SLTS)	ALL	N/A	910121231
Air Temp Sensor (DAT, RAT)	ALL	N/A	910106325
Water Temp Sensor (EWT, LWT)	ALL	N/A	107201601

Call Your Local Daikin Applied Parts Distributor For All Your Parts Needs.
To Locate A Distributor, Go To www.DaikinApplied.com or Call 1-800-37PARTS