



Replacement Parts List No. 700052100
Revision F 05/2019

Daikin

**SmartSource[®] Compact Vertical
Water Source Heat Pump**

WGCV
015, 019
Design 1

Contents

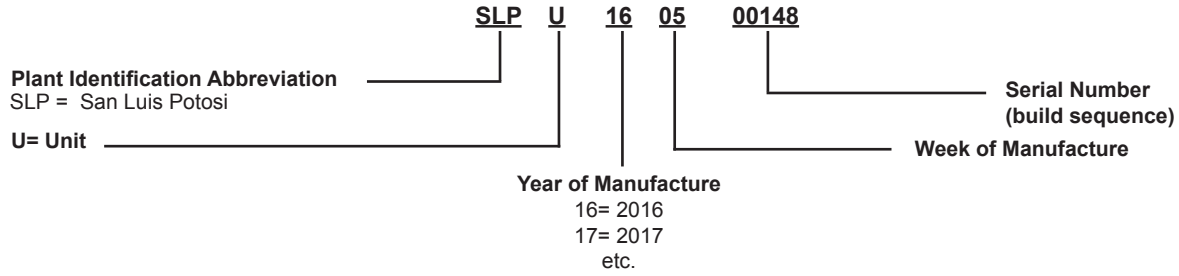
Parts List Revision History.....	3
Nomenclature	
Serial Number.....	4
Model Number.....	4
Electrical Legend.....	5
Blower Fan Assembly	
PSC Motor.....	6
ECM Motor.....	7
Refrigeration Circuit	
Diagrams.....	8
Components.....	9 - 10
Hot Gas Reheat (HGRH).....	10
Control Box	
Microtech III Controls	
Diagrams.....	11
Components.....	12
MTIII Control Board Label Location.....	13
Field Installed Accessories.....	14 - 17
Critical Parts List.....	CPL1

Parts List Revision History

Revision	Date	Description
NEW	06/16	New.
A	04/17	Page 6- Change capacitor (C01) p/n 668003118 to 910181947. Capacitor (C11) p/n 668003118 to 910120049. Page10- Add size 015 HGRH Coil, 14 FPI, LH p/n 670209910. CPL1- Update revision.
B	07/17	Pages 6 - 7 Delete fasteners p/ns 04929302, 105915405, 802012067, 06652401. Page 8- Change Compressor Mounting Detail drawing. Page 9- Add size 015 Screw p/n 910155795; Grommet p/n 910146807, and Sleeve p/n WB1044. Add Washer p/n 040500322. Page 10- Refrigeration Circuit continued to this page. Page 11- Add drawing of "No PSC Used". Add Bub# 70 & C01 note. Page 12- Add Ref# 70 Capacitor p/n 910181947. Chart redone without voltage columns. Change EWT, LWT Sensor p/n 910121230 to 910121228. Chart redone without voltage columns. Page 14- Add Thermostats & Sensor p/ns 668375301, 668375401, 667720401, and 107096010. Page 15- Add WSE Coil p/n 670213503. Change Hydronic Coil Assy p/n 670226006 to 670226302. Pages 16- Add "Auto Flow Supply and Return w/Ball Valves and Strainer" p/ns for 3 foot hose kits. Delete Hose Kits Jumper Jumper Hose Kit w/90° Adapter p/n 669483101. CPL1- Update revision. EWT & LWT Sensor p/n 910121228 to 910121230.
C	12/17	Page 9- Change low pressure switch p/n 107225101 to 910171267. Page 10- Add HGRH Diarams. Pages 14-17- Numerous changes to Field Installed Accessories. Add sensor adapter plates, sensors, and touchscreen thermostats. Add Hose Kit, Jumper p/n 669483101. CPL1- Update revision.
D	09/18	Page 4- Change Code21 to Always 0. Page 6-7 Change Housing & Wheel Assy p/n 670227700 to 670227702. Page 8-10 Add Comp Mount Bub #s 63-68 and p/ns 9101741254, 910174125, 910174126, 910174127 & 910174128. Add Bub # 74 Adapter p/n 106474901. Delete Rev Valve p/n 106694112. Change Rev Valve p/n 106694207 to 910198409 & Solenoid p/n 910124938 to 910198415. Add Differential Pressure Switch p/n 910170469. Page 11- Add page for HGRH components. Page 13- Change Contactor p/n 910140339 to 910199934. Pages 14-17 Numerous format changes. Change Filters from Kit #s to individual p/ns. Delete Tstat p/ns 668375301 & 668375401. CPL1- Update revision. Change Housing & Wheel Assy p/n to 670227702.
E	10/18	Page 13- Add footnote for diconnect switch and delete unit size. Change contactor p/n 910140340 to 910199932. Change unit size for capacitor Ref# 68 & 72. CPL1- Update revision.
F	05/19	Page 6- Change PSC motor dwg to include belly band. Change motor p/n 669484204 to 910235555; 669484205 to 910234782; 669484206 to 910234781; Add Arm p/n 910163977 & Band p/n 910121966. Page 10- Move HGRH from page 11. Add size 019 Coil Assy, LH p/n 670209915. CPL1- Update revision.

Nomenclature

Serial Number



Model Number

	WGCV	019	E	1	RT	G	M	P	B	00	1	0	0	0	S	50	0	0	0
Code	01- 03	04	05	06	07	08	09	10	11	12	13	14	15	16	17	18	19	20	21

Code 01: Unit Type

W= Water Source Heat Pump

Code 02: Model Type

GC= SmartSource, Compact Single Stage

Code 03: Configuration

V= Vertical

Code 04: Unit Size

015= 15000 BtuH Nominal Cooling

019= 19000 BtuH Nominal Cooling

Code 05: Voltage

A= 115/60/1

E= 208-230/60/1

J= 265/60/1

Code 06: Design Series

1= Design Series 1

Code 07: Return/Discharge Air

LT= Left Hand Return/Top Discharge

RT= Right Hand Return/Top Discharge

Code 08: Water Coil Type

C= Copper Inner Tube

S= Cupro-Nickel Inner Tube

G= Geothermal- Copper Inner Tube

J= Geothermal- Cupro-Nickel Inner Tube

Code 09: Unit Control

M= Microtech III Base Controller

L= Microtech III Base Controller with Lon

B= Microtech III Base Controller with BACnet

F= Microtech III Integrated System

Code 10: Fan Motor

P= PSC

C= ECM Constant CFM

T= ECM Constant Torque

Code 11: Insulation (Compressor Side / Airside)

B= Basic Standard- Fiberglass/Fiberglass

I= IAQ- Closed Cell Foam/Closed Cell Foam

D= Sound Package- Dual Layer Fiberglass/Dual Layer Fiberglass

Code 12: Options

WE= Waterside Economizer

HG= HGRH

HH= Hydronic Heat

00= None

Code 13: Filters & Racks

1= Standard 1" Rail 1" Filter, Throwaway

2= 2" Rack- 2" Filter, MERV 8

3= 2" Rack- 2" Filter, Throwaway

4= 4" Rack- 4" Filter, MERV 13

5= 4" Rack- 2" Filter, Throwaway

Code 14: Piping Package

0= None

Code 15: Electric Heat Size

0= None

P= 24V Single Stage Control

Code 16: Freeze Fault Protection

0= None

F= Freeze Fault Protection

Code 17: Standard or Special

S= Standard

X= Special

Code 18: Transformer

50= 50 VA Transformer

75= 75 VA Transformer

Code 19: Corrosion Protection

0= None

C= Corrosion Protection

Code 20: Disconnect Switch

0= None

D= Disconnect Switch

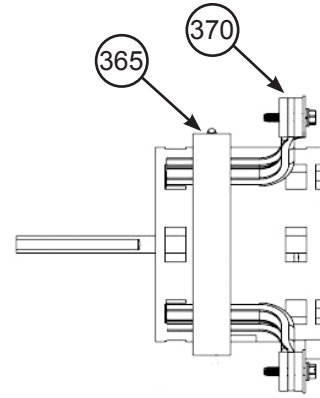
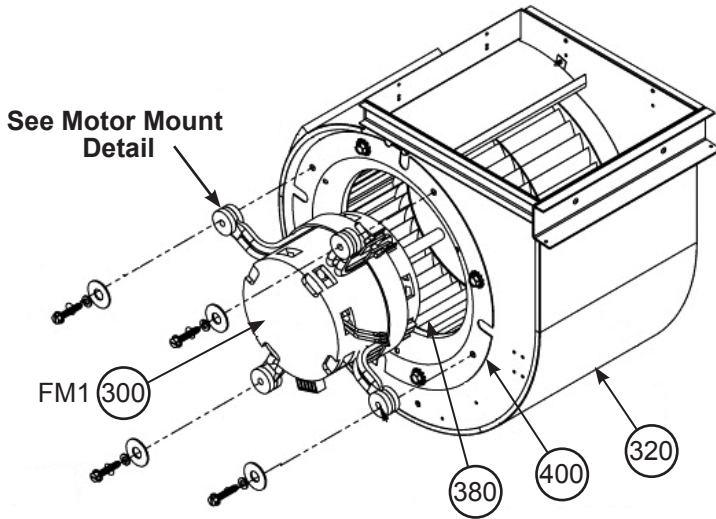
Code 21: Always 0

Code 22: Extended Warranty

Electrical Legend

AN1, AN2	LED Annunciator
CO1	Fan Motor Capacitor 1
C11	Compressor Capacitor 1
CP1	Compressor 1
COE	Condensate Overflow Protection Sensor - WSE
COS	Condensate Overflow Protection Sensor
DAT	Discharge Air Temperature Sensor
DCS	Disconnect Switch
EB1	Expansion Control Board 1
EB2	Expansion Control Board 2- Fan Speed Control
EWT	Entering Water Temperature Sensor
FM1	Fan Motor 1
GND	Ground
HG1	Hot Gas Reheat Valve Actuator
HP1	High Pressure Switch
HYH	Hot Water Heat Valve Actuator
LAT	Leaving Air Temperature Sensor
LP1	Low Pressure Switch
LT1	Compressor Suction Line Temperature Sensor
LWT	Leaving Water Temperature Sensor
M01	Fan Motor Contactor
M11	Compressor 1 Contactor
MCB	Main Control Board
NCB	Network Control Board
OLP	Overload Protector - Compressor Motor
RAT	Return Air Temperature Sensor
RV1	Reversing Valve
TR1	Transformer - Control
TR2	Transformer - Fan Motor
WSE	Waterside Economizer Actuator

Blower Fan Assembly PSC Motor



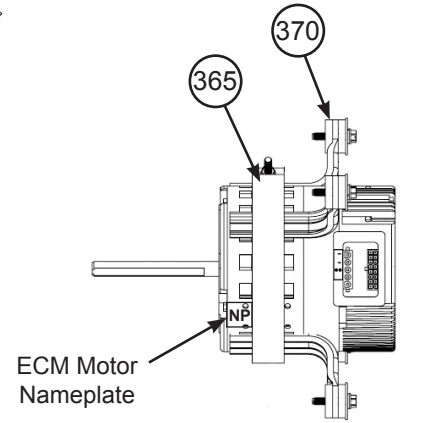
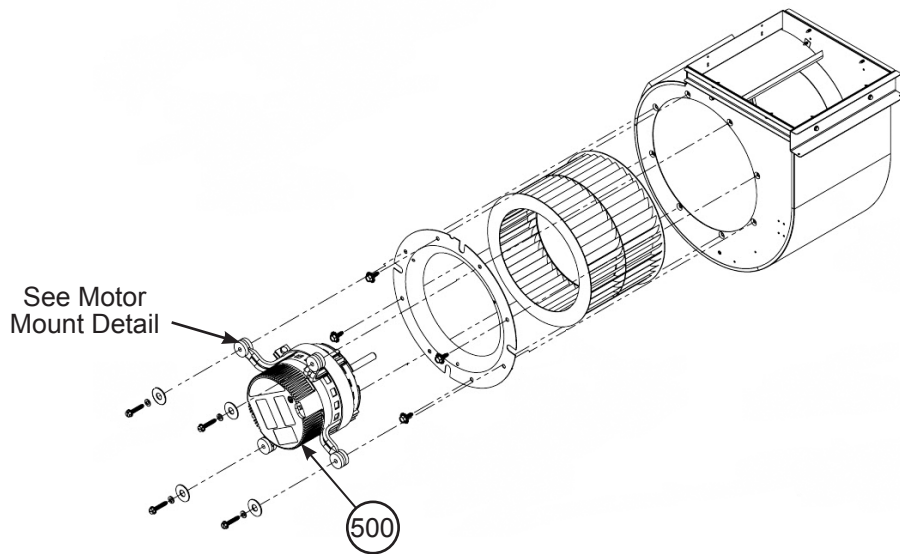
Motor Mount Detail

Ref. No.	Part Description	Part Number	015			019		
			115V	208-230V	265V	208-230V	265V	
300	PSC Motor, 1/12 HP	until 4/19	669484204	1				
	PSC Motor, 1/12 HP ¹	4/19 & later	910236665	1				
	PSC Motor, 1/6 HP	until 4/19	669484205		1		1	
	PSC Motor, 1/6 HP ¹	4/19 & later	910234782		1		1	
	PSC Motor, 1/6 HP	until 4/19	669484206			1		1
	PSC Motor, 1/6 HP ¹	4/19 & later	910234781			1		1
320	Blower Housing & Wheel Assy	until 4/18	670227700	1	1	1	1	1
	Blower Housing & Wheel Assy	4/18 & later	670227702	1	1	1	1	1
365	Band, Motor Mount	4/19 & later	910121966	1	1	1	1	1
370	Arm, Motor Mount	4/19 & later	910163977	4	4	4	4	4
380	Wheel, Blower		802000037	1	1	1	1	1
400	Inlet Ring		060828801	1	1	1	1	1

¹ This motor uses a band & arm motor mount.

Blower Fan Assembly

ECM Motor

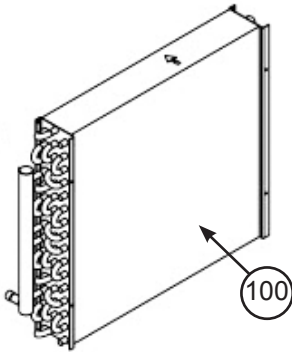


Motor Mount Detail

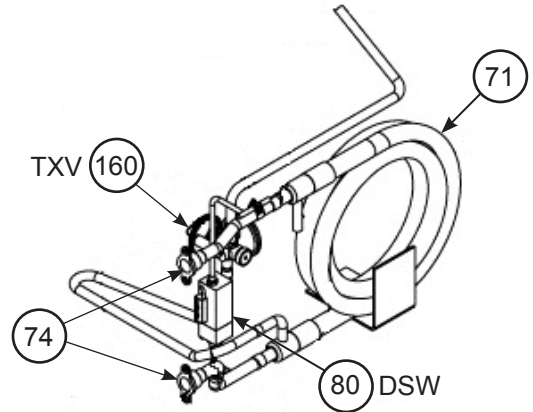
Ref. No.	Part Description	Part Number	Unit Size	
			015	019
365	Band- Motor Mount	910121966	1	1
370	Arm- Motor Mount	910163977	4	4
500	ECM & Program	1	See ECM motor nameplate.	

¹ The PN for the ECM motor is found on the label (see illustration above).
 You may also contact Daikin with the Unit Model & Serial Number to get the ECM Motor part number.

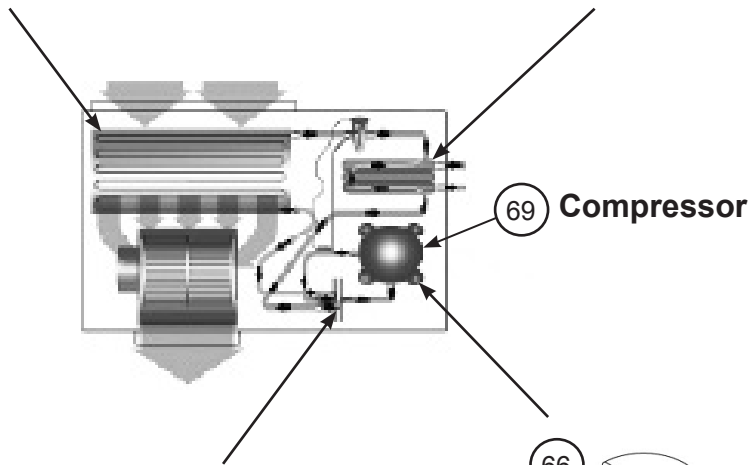
Refrigeration Circuit Diagrams



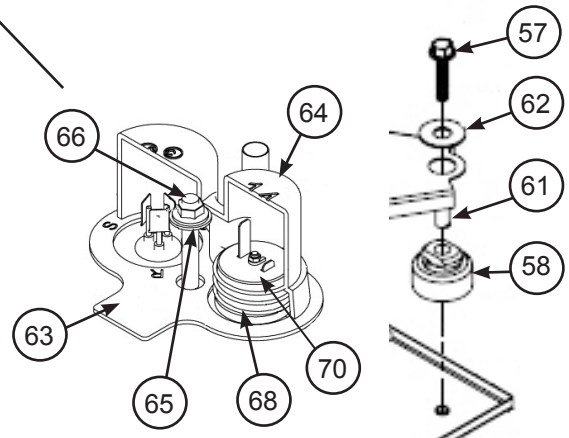
Evaporator Detail



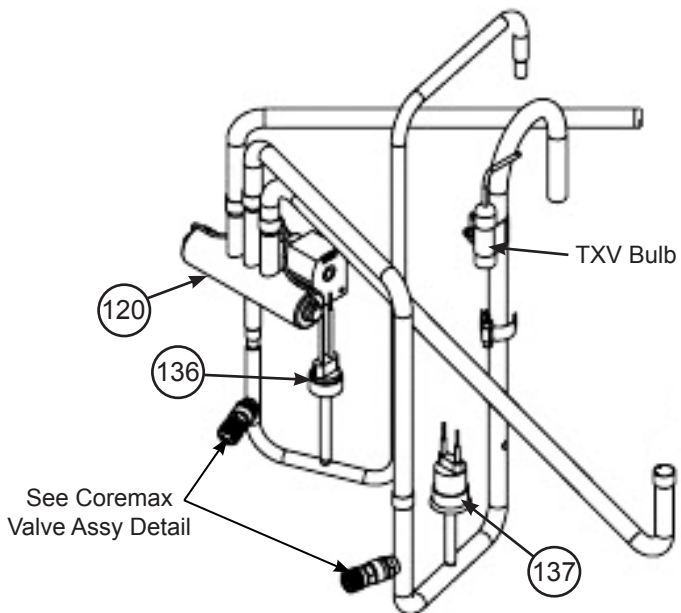
Co-Ax Heat Exchanger Detail



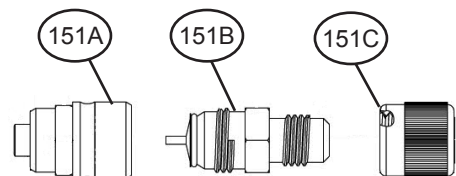
Reversing Valve Piping Detail



Compressor Mounting Detail



See Coremax Valve Assy Detail



Coremax Valve Assy Detail

Refrigeration Circuit Components

Ref. No.	Description	Part Number	015			019	
			115V	208-230V	265V	208-230V	265V
57	Screw, Compressor Mount	910155795	3	3	3		
		910158146				3	3
58	Grommet, Compressor Mount	910146807	3	3	3		
		910157970				3	3
61	Sleeve, Compressor Mount	WB1044	3	3	3		
		668955501				3	3
62	Washer, Compressor Mount	040500322	3	3	3	3	3
63	Gasket, Terminal, Compr Mount	910174125	1	1	1	1	1
64	Cover, Terminal, Compr Mount	910174124	1	1	1	1	1
65	Washer, Terminal Cover, Compr Mount	910174126	1	1	1	1	1
66	Nut, Terminal Cover, Compr Mount	910174127	1	1	1	1	1
68	Spring, Compr Mount	910174128	1	1	1	1	1
69	Compressor	910153727	1				
	Compressor	910153726		1			
	Compressor	910145418			1		
	Compressor	910153732				1	
	Compressor	910153733					1
70	Overload Protector, Compressor	910179181	1				
	Overload Protector, Compressor	910179182		1			
	Overload Protector, Compressor	910174189			1		
	Overload Protector, Compressor	910179183				1	
	Overload Protector, Compressor	910179184					1
71	CO-AX Heat Exchanger, Copper Inner Tube	669814136	1	1	1		
		910180242				1	1
	CO-AX Heat Exchanger, Cupro Inner Tube	910170632	1	1	1		
		910180243				1	1
74	Fitting	106474901	2	2	2	2	2
80	Differential Pressure Switch	910170469				1	1
100	Evaporator Coil Assy, LH ¹	670211320	1	1	1	1	1
	Evaporator Coil Assy, RH ¹	670211310	1	1	1	1	1
120	Reversing Valve until 4/18	910124938	1	1	1	1	1
	Reversing Valve 4/18 & later	910198409	1	1	1	1	1
N/S	Solenoid- Reversing Valve until 10/17	106694207	1	1	1	1	1
	Solenoid- Reversing Valve 10/17 & later	910198415	1	1	1	1	1

¹ Please contact Daikin for E-Coat on evaporator coil assy.

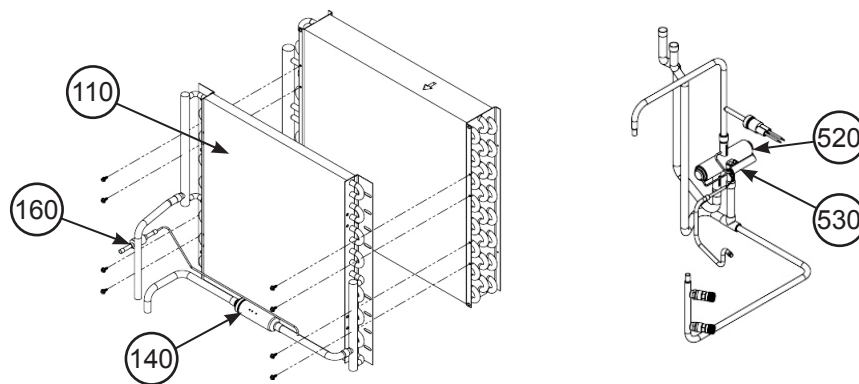
Continued on next page.

Refrigeration Circuit Components, Continued

Ref. No.	Description	Part Number	015			019	
			115V	208-230V	265V	208-230V	265V
136	High Pressure Switch	910171269	1	1	1	1	1
137	Low Pressure Switch	107225101	1	1	1	1	1
	Low Pressure Switch	910171267	1	1	1	1	1
151A	Seat, Fitting	910158114	2	2	2	2	2
151B	Core, Valve	668188701	2	2	2	2	2
151C	Cap, Valve	668189501	2	2	2	2	2
160	Expansion Valve	910179370	1	1	1		
		910157443				1	1
N/S	Drain Pan, LH	670212812	1	1	1	1	1
	Drain Pan, RH	670212809	1	1	1	1	1
	Terminal Ring- Condensate Overflow Wire	802007936	1	1	1	1	1
N/S	Gasket, Vinyl Edging, 10.69"	910155307	1	1	1	1	1

N/S= Not shown.

Hot Gas Reheat (HGRH)



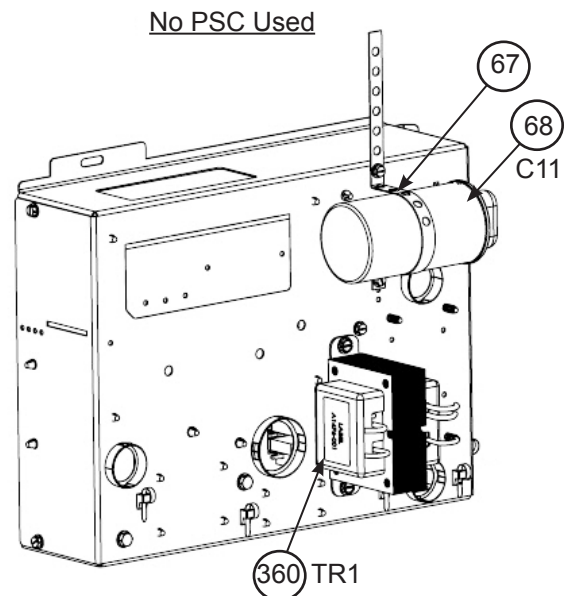
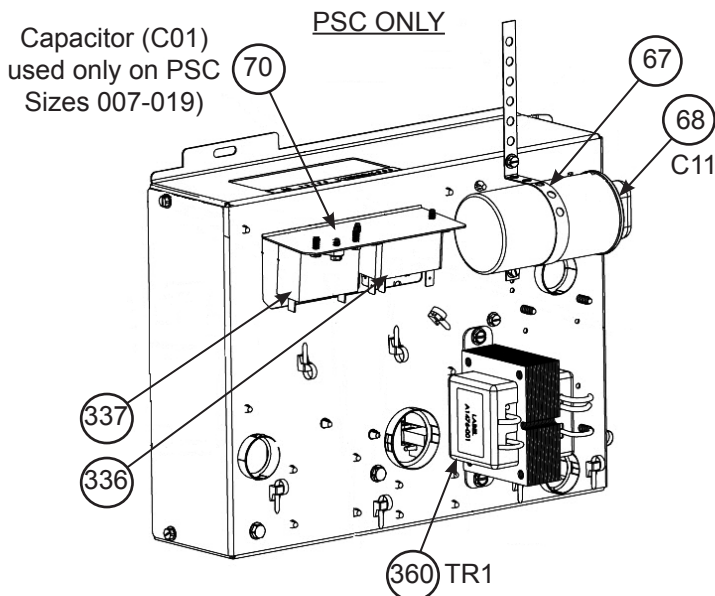
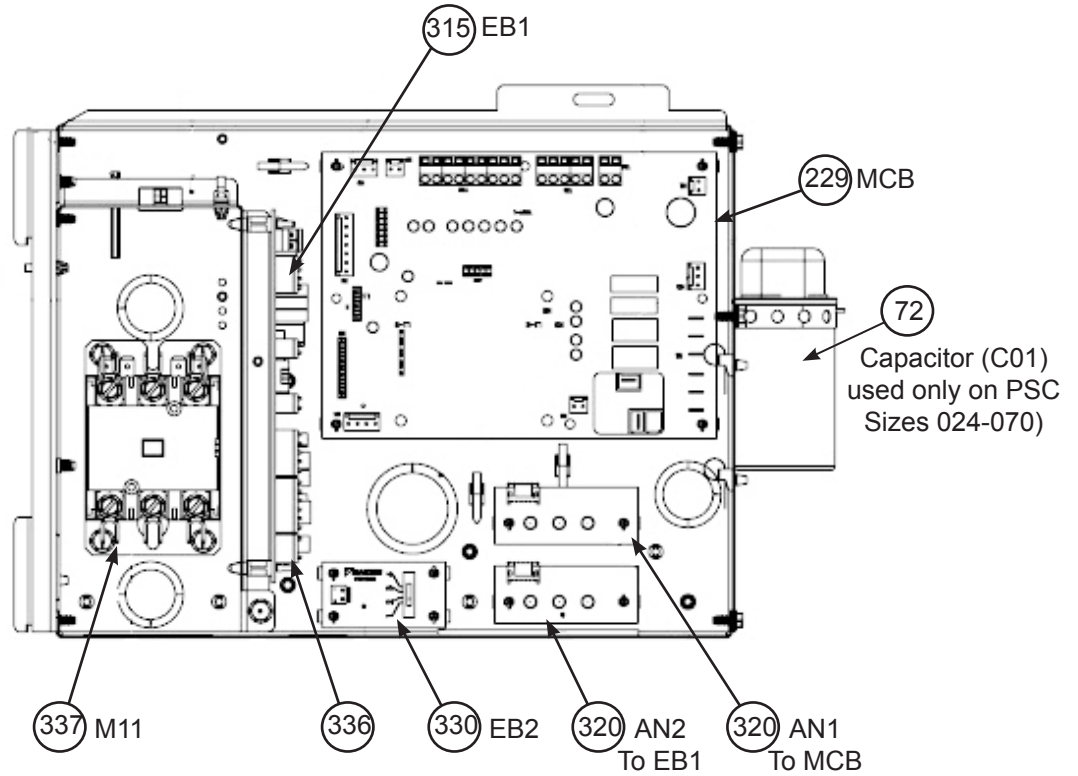
Ref. No.	Part Description	Part Number	Unit Size	
			015	019
110	Hot Gas Coil Assy, LH ¹	670209910	1	
		670209915		1
	Hot Gas Coil Assy, RH ¹	670209906	1	
		670209902		1
140	Check Valve, .5 ODS	910115254	1	1
160	Check Valve, Equalizer, .25 ODF	910171818	1	1
520	Reheat Valve, 2 Ton	910169654	1	1
530	Solenoid	910110439	1	1

¹ Please contact Daikin for E-Coat on HGRH coil assy.

Control Box

MicroTech III Controls

Diagrams



Control Box

MicroTech III Controls

Components

Ref. No.	Part Description	Part Number	Unit Size	
			015	019
67	Bracket, Capacitor	850010570	1	1
N/S	Boot, Capacitor Terminal Cover	910127697	1	1
68	Capacitor, Compressor, 60MFD 440VAC	910120055	1	
	Capacitor, Compressor, 30MFD 440VAC	910120049	1	1
	Capacitor, Compressor, 25MFD 440VAC	910120048		1
72	Capacitor, 7.5MFD 370VAC	910181947	1	1
229	Control Board, MicroTech III	668105601*	1	1
315	I/O Expansion Board	668105702*	1	1
320	LED Annunciator, AN1 to MCB	668395201	1	1
	LED Annunciator, AN2 to EB1	668395201	1	1
330	Fan Speed Selection Board	910143618	1	1
335	Stand Off, PC Board	802028115	6	6
336	Relay, 24V	106500102	1	1
337	Contactor, 2P, 30A until 12/17	910140339	1	1
	Contactor, 2P, 32A 12/17 & later	910199934	1	1
N/S	Disconnect Switch, 10A	910150557	See footnote 1.	
	Disconnect Switch, 16A	910150558		
	Disconnect Switch, 20A	910150559		
360	Transformer- 50V, 115V	910116204	1	
	Transformer- 50V, 208-230V	910116202	1	1
	Transformer- 50V, 265V	910116203	1	1
	Transformer- 75V, 115V	910117810	1	
	Transformer- 75V, 208-230V	910116213	1	1
	Transformer- 75V, 265V	910116209	1	1
N/S	Suction Line Temp Sensor (LT)	910121227	1	1
N/S	Air Temp Sensor (DAT, RAT)	910106325	1	1
N/S	Water Temp Sensor (EWT, LWT)	910121230	1	1





N/S= Not shown.

¹ The disconnect switch depends on the unit features. Use the As-Built BOM on Parts E-Commerce, or get the specs from the installed disconnect, or contact Daikin Applied Parts Identification.

* When ordering this board, please provide the software part number printed on the board's label. See control board photo on next page for label location.

Control Box

MicroTech III Controls

MTIII Control Board Label Locations	
 <p style="text-align: right; margin-right: 50px;">Label</p>	 <p style="text-align: right; margin-right: 50px;">Label</p>
668105702	668105901
 <p style="text-align: right; margin-right: 50px;">Label</p>	 <p style="text-align: right; margin-right: 50px;">Label</p>
668105601	668105801

NOTE: When ordering the control board, please provide the software part number printed on the board's label.
See above for label locations.

Field Installed Accessories

Filter & Filter Racks

Description	Qty	Part Number
1" Filter, MERV 4	12 Pack	060604806
2" Filter, MERV 8	12 Pack	300049588
4" Filter, MERV 13	6 Pack	910102199
Filter Rack, 2"	1 Kit	910174050
Filter Rack, 4"	1 Kit	910174065

MicroTech III Communication Modules

Description	Part Number
BacNet Comm Module Kit*	910128889
LonWorks Comm Module Kit*	910128888

* Kit includes comm module card, sensors, mounting tabs, and IM.

Motorized Valve Wire Harness

Description	Part Number
MTIII, H-8 Wire Harness Assy, ISO Control Kit	910255908
MTIII, H-8 Wire Harness Assy, ISO Control Kit, 10 Pack	910145646

Manual Valves

Description	Size	Box of 2	Box of 10
Combination Shutoff/Balancing Valve with Memory Stop, Ball Valve	1/2"	106065102	106065110

Motorized Valves

Description	Kit *	Actuator	Body
2-Way Valve Kit, Motorized, Normally Closed (NC), 1/2" NPT	910131353	910129596	910129296
2-Way Valve Kit, Motorized, Normally Closed (NC), 1/2" Sweat	910131359	910129596	910129293
2-Way Valve Kit, Motorized, Normally Open (NO), 1/2" NPT	910128986	910129299	910129296
2-Way Valve Kit, Motorized, Normally Open (NO), 1/2" Sweat	910131356	910129299	910129293

* Refer to IM 1151 for installing a motorized valve kit on MicroTech III units.

Field Installed Accessories Continued

Thermostats & Sensors

Description	Part Number
3.75" x 5.5" Adaptor Plate *	910201987
5.25" x 7" Adaptor Plater *	910193064
5.3" x 5.3" Adaptor Plate *	910201988
RCN Kit for use with wireless Tstat	910107248
Programmable/ Non- Programmable, 2H/2C, AC, Touchscreen	910193126
Programmable/ Non- Programmable, 2H/2C, AC, Touchscreen, WIFI	910193131
Wall Stat: Non- Programmable, 2 Heat/2 Cool, ACO, Hardwired	910121746
Wall Stat: 7-day Programmable, 2 Heat/2 Cool, ACO, Hardwired	910121748
Wall Stat: Auto, Programmable Touch-Screen, 3 Heat/2 Cool, Humidity Detection	910121750
Wall Stat: Programmable & Remote Sensor	910116773
Wall Stat: AC/DC, ACO, 7-day Programmable, 2 Heat/2 Cool with Wall Plate	668375301
Wall Stat: AC/DC, ACO, Non- Programmable, 2 Heat/2 Cool, NSB & OR with Wall Plate	668375401
Trim Ring *	910193063
Insulated Wall Plate	910116770
Basic Room Sensor with NSB, Override and Status LED	910152149
Digital Adj. 4-Button Room Sensor with Override, Occupancy Switch and Temp. Display	910152147
Sensor with Cool/Warm Temp Adj. and Occupaancy Override	910171464
Remote Sensor, Outdoor Temp for Touch Screen Thermostat **	910129096
Remote Sensor, Indoor Temp for Touch Screen Thermostat **	910129095
Wall Temp Sensor for 668375301 & 668375401	107096010
Wall Sensor, Adj. Cool/Warm, Occupancy Switch	910121753
Room Sensor, Digitally Adj., Temp & Humidity Display	910121754
Wall Temp Sensor, Daikin Branded ***	667720401

* For sensors p/ns 910121754, 910152147, 910152149 or 910171464.

** For use with thermostats # 910121750.

*** For use with thermostats # 910121746 & # 910121748.

TStat Guards

Description	Part Number
TStat Guard	105571101
TStat Guard (10 Pack)	105571110

Field Installed Accessories

Continued

Hoses

Description	Specification	2 Foot	3 Foot
Hose Kit, Fire Rated Condensate	3/4"	106063801	106063901
Hose Kit, Plastic Condensate	3/4"	106063701	106665101
Hose Kit, Fire Rated Supply/Return (2 Pack)	1/2"	106062801	106063101
Auto Flow Supply and Return w/Ball Valves Flow Control Hose Kit, Fire Rated Supply/Return- 1/2" Includes: Supply Line: Ball valve with one port and a 24" stainless steel hose with swivel. Return Line: Combination flow controller & ball valve with two ports and a 24" stainless steel hose with swivel.	2.0 GPM	669482304	N/A
	2.5 GPM	669482305	N/A
	3.0 GPM	669482306	N/A
	3.5 GPM	669482307	N/A
	4.0 GPM	669482308	N/A
	4.5 GPM	669482309	N/A
	5.0 GPM	669482310	N/A
	5.5 GPM	669482311	N/A
	6.0 GPM	669482312	N/A
Auto Flow Supply and Return w/Ball Valves and Strainer Flow Control Hose Kit, Fire Rated Supply/Return- 1/2" Includes: Supply Line: Combination ball valve & y-strainer, blow down valve, with one port and a 24" stainless steel hose with swivel. Return Line: Combination flow controller & ball valve with two ports and a 24" stainless steel hose with swivel.	2.0 GPM	106582904	910186313
	2.5 GPM	106582905	910160444
	3.0 GPM	106582906	910157026
	3.5 GPM	106582907	910186314
	4.0 GPM	106582908	910160445
	4.5 GPM	106582909	910186430
	5.0 GPM	106582910	910160446
	5.5 GPM	106582911	910186315
	6.0 GPM	106582912	910186431
Hose Kit, Supply and Return w/Ball Valves	1/2"	669483401	669481302
Hose Kit, Supply and Return w/Ball Valves and Strainer	1/2"	669481801	669481802
Hose Kit, Jumper Hose Kit w/90° Adapter	1/2" x 4 Ft.	669483101	

N/A = Not Applicable.

Note: Refer to IM 1226 for Daikin Fire Rated Hoses & Hose Kits and for installation instructions.

Waterside Economizer

Description	Part Number
3-Way Valve, Motorized, .625" Sweat	910179702
WSE Coil Assy, RH	670213503
Actuator Motor, NC, 24V	107179809

Hydronic Heat

Description	Part Number
Actuator, 24V	107179801
Hydronic Coil Assy	670226302

Field Installed Accessories Continued

MicroTech III Temperature Sensors

Part Number	Kit	Tenant Override	Setpoint Adjustment	Status LED	Fan & Mode Switch
669088101	669529001	Yes	No	No	No
668900801	669529101	Yes	55° to 95°F (12° to 35°C)	Yes	Yes
669088201	669529201	Yes	-3° to +3°F (-1.5° to 1.5°C)	No	Yes

Note: Can only be used in conjunction with a communication (Comm.) card. See OM 931 for required jumper settings.

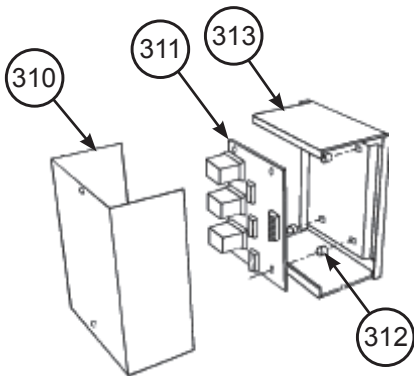
MicroTech III Unit Control Accessories

Description	Part Number
** Multiple Unit Control Panel: Allows a master unit controlled by a T'Stat, to operate up to 3 secondary units Not Recommended for use with a Boilerless System Kit.	056794201
Boilerless System Kit with I/O Expansion Board *	910110355
Boilerless System Kit without I/O Expansion Board	910110353

* IM 1084-2 is included in Kit.

** Kit components listed below.

Multiple Unit Control Panel Kit



Ref. No.	Description	Part Number	Qty.
310	Cover, Control Box	106436101	1
311	Circuit Board	056794001	1
312	Stand Off, Circuit Board	802028090	6
313	Box	850007827	1

Critical Daikin Applied OEM Parts Are What Your HVAC Unit Needs!

Daikin SmartSource® Compact Vertical WSHP

WGCV

015, 019 Design 1

Critical Components	Unit Sizes	Voltage	Part Number
Control			
Control Board, MicroTech III	ALL	ALL	668105601
Compressor			
Compressor	015	115/60/1	910153727
Compressor	015	208-230/60/1	910153726
Compressor	015	265/60/1	910145418
Compressor	019	208-230/60/1	910153732
Compressor	019	265/60/1	910153733
Blower Fan Motor			
Motor, 1/2 HP	015	115/60/1	910236665
Motor, 1/2 HP	015, 019	208-230/60/1	910234782
Motor, 1/2 HP	015, 019	265/60/1	910234781
ECM & Program	ALL	ALL	See motor nameplate
Blower Fan Assembly			
Blower Housing Assy	ALL	N/A	670227702
Wheel- Blower	ALL	N/A	802000037
Sensor			
Suction Line Temp Sensor (SLTS)	ALL	N/A	910121227
Air Temp Sensor (DAT, RAT)	ALL	N/A	910106325
Water Temp Sensor (EWT, LWT)	ALL	N/A	910121230

Call Your Local Daikin Applied Parts Distributor For All Your Parts Needs.
To Locate A Distributor, Go To www.DaikinApplied.com or Call 1-800-37PARTS