



Replacement Parts List No. 700050600
Revision G 03/2019

Daikin
Intelligent Equipment[®]

Table of Contents

Parts List Revision History	3
Notes	4
Diagrams	5
Components	6

Parts List Revision History

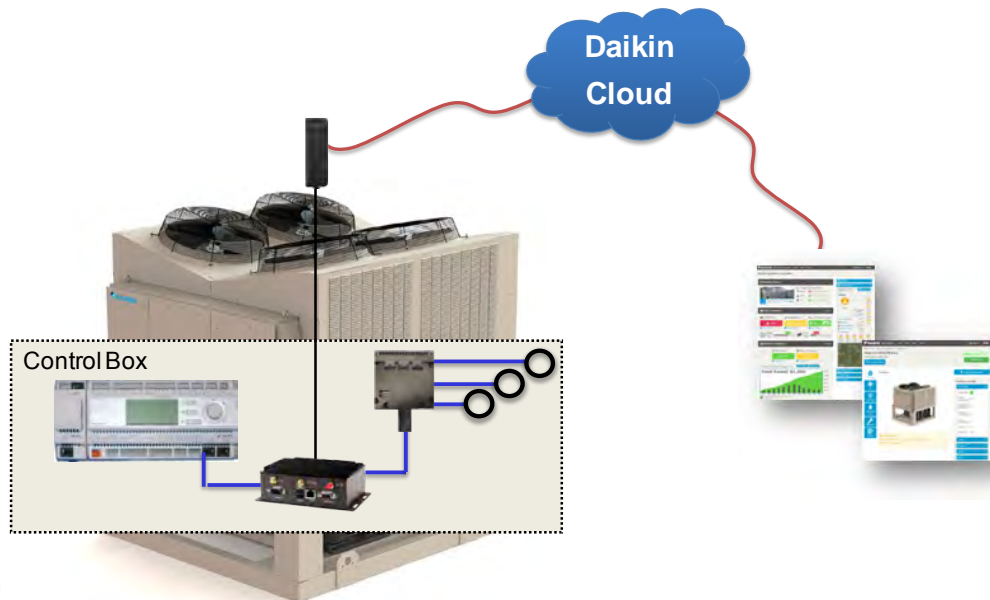
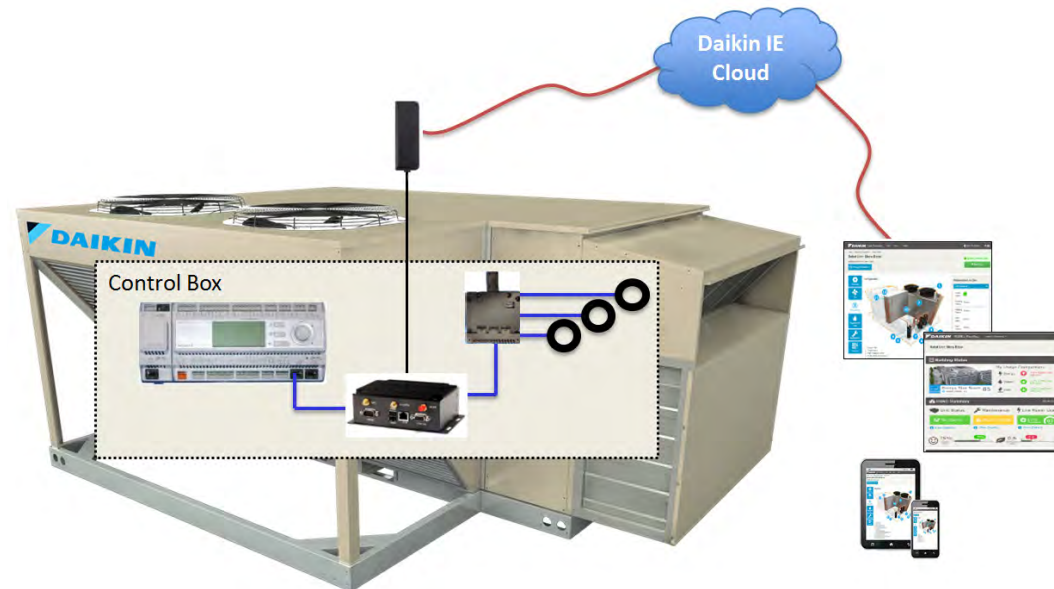
Revision	Date	Description
New	04/15	New.
A	11/15	Page 6: Changed Ref # 2 from " 250790301" to "910163281"; Ref #4 from " 910163260" to "910163282". Added new cable p/ns.
B	05/16	Page 4: Rewrote Notes.
C	06/16	Page 4: Updated dwg.
D	02/17	Page 6: Changed Ref # 5 Fuseblock from "023780232" to "404179929" ; Ref # 7 Puller from "349938207" to "404179605".
E	10/17	Page 6: Added 9/17 & Later Fuseblock & Cover/Puller p/ns. Added footnote # 3.
F	04/18	Cover, Master pg.: Changed "TM" symbol to "®". Page 4: Rewrote Notes. Added/updated dwgs.
G	03/19	Page 5: Added new M2M & Pwr. Supply dwgs. & dwg. headers. Page 6 Added new M2M & Pwr. Supply p/ns. Added footnote # 4.

Notes

Intelligent Equipment® from Daikin Applied is a secure, cloud-based solution that enables delivery of information to end users and/or service technicians via the web or mobile device. Intelligent Equipment measures the power and performance of every unit providing real-time data streams for benchmarking performance and monitoring system operation.

A power measurement module and communications gateway installed on Daikin Applied equipment enables the unit to be directly connected to the internet via a wireless connection (Wi-Fi, cellular) or through a local area network (LAN) providing management, monitoring, control, analysis, and decision-making functionality.

IE Express™ connects directly to your Daikin rooftop unit or air-cooled chiller and offers a low cost, easy to install, entry-level solution to cloud equipment controls for those who don't need the Energy Management Module (EMM) found in the Intelligent Equipment offering.

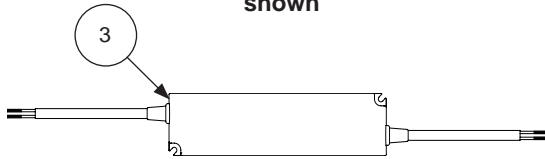


Intelligent Equipment Diagrams

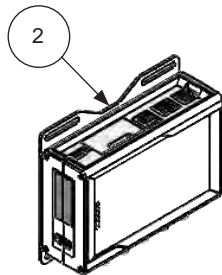
Low Voltage Components



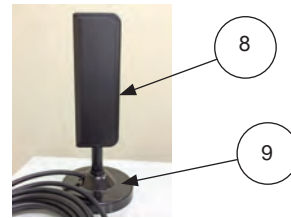
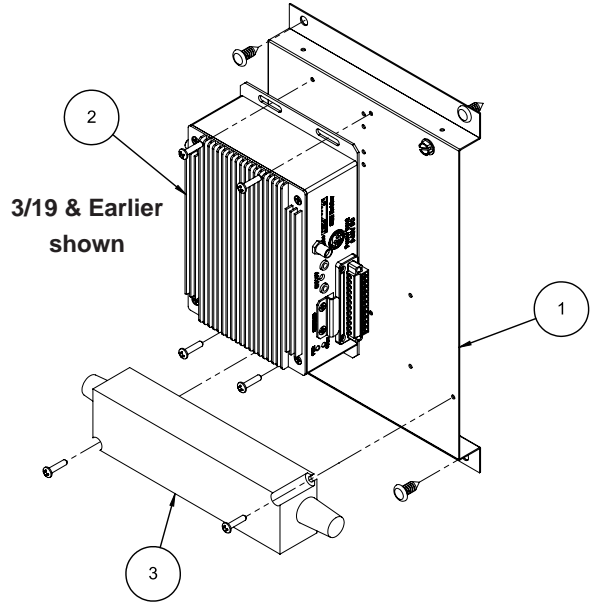
3/19 & Earlier
shown



6/19 & Later
shown

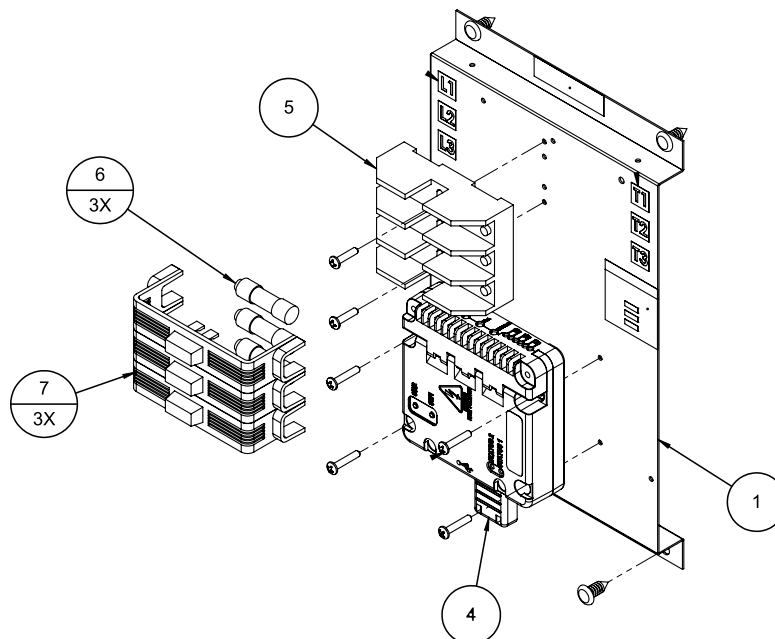


5/19 & Later
shown



Wireless Antenna w/
Base and Cable Assy.

High Voltage Components



Intelligent Equipment Components

REF #	DESCRIPTION	PART NUMBER	QTY.
1	MOUNTING BRACKET-LOW VOLTAGE OR HIGH VOLTAGE	910152260	2
2	MACHINE-TO-MACHINE GATEWAY (M2M) 3/19 & EARLIER ⁴	910163281 ¹	1
	MACHINE-TO-MACHINE GATEWAY (M2M) 5/19 & LATER ⁴	910238628 ¹	1
3	POWER SUPPLY 3/19 & EARLIER ⁴	250790401	1
	POWER SUPPLY 6/19 & LATER ⁴	250790800	1
4	ENERGY MANAGEMENT MODULE (EMM)	910163282 ¹	1
5	FUSEBLOCK, 3 POLE, PUSH-IN TERMINALS 9/17 & EARLIER	404179929 ³	1
	FUSEBLOCK, 3 POLE, FORK TERMINALS 10/17 & LATER	404179930 ³	1
6	FUSE, 5A 600V	049759811	3
7	FUSE PULLER/COVER 9/17 & EARLIER	404179605 ³	3
	FUSE PULLER/COVER 10/17 & LATER	404179604 ³	3
8	ANTENNA, USED FOR WI-FI & CELLULAR	250794400	1
9	MAGNETIC ANTENNA BASE W/ 10' CABLE	250794500	1
	MAGNETIC ANTENNA BASE W/ 22' CABLE	250794501	1
N/S	CURRENT SENSOR, LEAD LENGTH 12'-50 AMP	910152000 ²	3
N/S	CURRENT SENSOR, LEAD LENGTH 12'-100 AMP	250793302 ²	3
N/S	CURRENT SENSOR, LEAD LENGTH 12'-200 AMP	250793300 ²	3
N/S	CURRENT SENSOR, LEAD LENGTH 12'-600 AMP	250793303 ²	3
N/S	CURRENT SENSOR, LEAD LENGTH 12'-1000 AMP	250793301 ²	3
N/S	CABLE, USB A TO B ADAPTER, 3'	250794300	1
N/S	CABLE, USB A TO B ADAPTER, 10'	250794301	1
N/S	CABLE, USB A TO B ADAPTER, 16'	250794302	1
N/S	ADAPTER, USB TO ETHERNET	250794200	1
N/S	ETHERNET PATCH CORD 6.56'	910152230	1
N/S	ETHERNET PATCH CORD 9.84'	250794101	1
N/S	ETHERNET PATCH CORD 12'	250794100	1

N/S= Not shown on diagram.

¹ Note that this component MUST be factory programmed before installation. Contact Daikin Applied with the software AND serial numbers from the IE component NOT the unit to ensure that the component is programmed correctly.

² Current Sensor sizing is based upon unit demand. Confirm amperage required or contact Daikin Applied with the software AND serial numbers from the IE components NOT the unit to ensure that the correct Current Sensor is identified.

³ In late 9/17 a change was made from a Fuseholder with "push-in terminals" to one with "fork terminals". This change affects the Fuseholder AND the Fuse Puller/Cover. Determine which holder/puller is required BEFORE ordering.

⁴ For units built during the transition, refer to the drawings on the previous page or contact Daikin Applied with the software AND serial numbers from the IE components NOT the unit to ensure that the correct part(s) are identified.